



Bendix® AD-2® Air Dryer

- End Cover Available Remanufactured Exchange

V.M.R.S. 13-010-033

[SD-08-2403](#)

Bendix® AD-2® Air Dryer Field Installation Kits For Trucks

Reman. Exch. Pc. No.	Service New Pc. No.	Inlet/Outlet Size (P.T.)	Heater
286934RX	286934N	1/2"	12V / 60W
—	286936N	1/2"	24V / 60W

Service/Maintenance Information Maintenance Kits:

Service New Pc. No.	Description
286718	Desiccant Cartridge Refill Kit
287313	Desiccant Cartridge Kit
101900X	Reman. Desiccant Cartridge
287298N	Check Valve Maintenance Kit
287053N	Purge Valve Maintenance Kit
102657N	Thermostat Maintenance Kit
288918	Thermostat Cover Maintenance Kit



End Covers

Reman. Exch. Pc. No.	Service New Pc. No.	Heater
103253RX	—	24V / 120W
286875RX	286875N	12V / 60W
286876RX	286876	24V / 60W

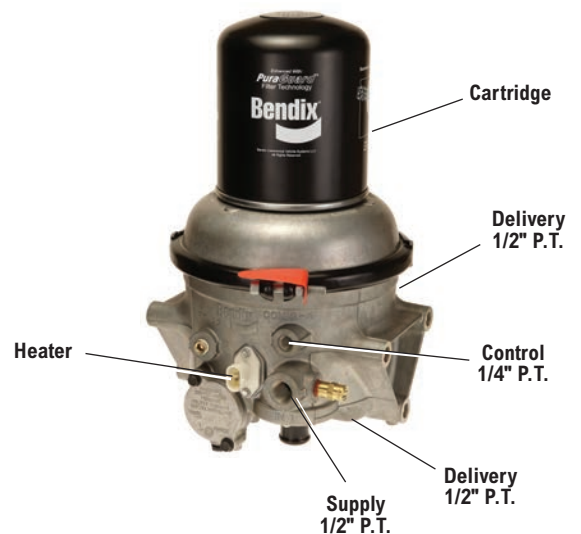
Bendix® AD-9si® Air Dryer

- End Cover Available Remanufactured Exchange

V.M.R.S. 13-010-033

[SD-08-2433](#)

Service New Pc. No.	Cartridge	Cartridge Type	Port Size (P.T.)	Heater
K092871PG	K042994	PuraGuard	1/2"	12V / 75W
K092871	5008415	Standard	1/2"	12V / 75W



IMPORTANT: If the Bendix® PuraGuard® oil coalescing cartridge is replaced, it must be replaced with a like unit.

Bendix® AD-9® and AD-9® IPC Air Dryer

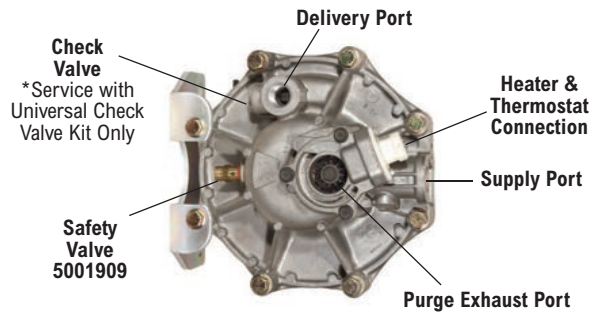
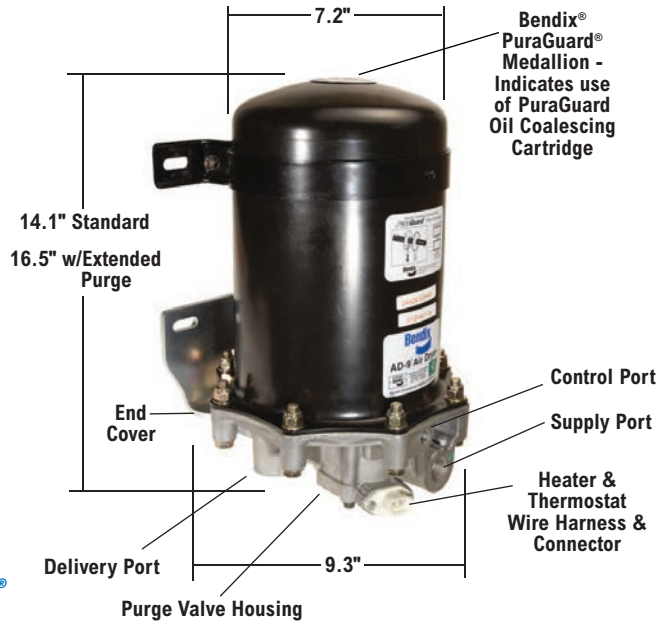
- More Desiccant Works Longer
- Compact Size Saves Space
- Remanufactured Exchange

V.M.R.S. 13-010-033

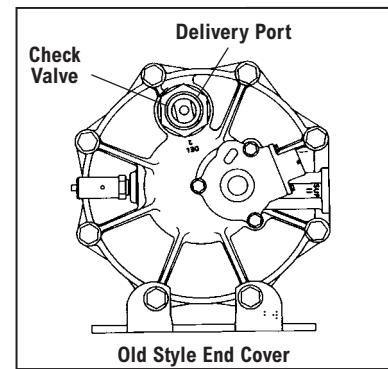
i SD-08-2412



IMPORTANT: If the Bendix® PuraGuard® oil coalescing cartridge is replaced, it must be replaced with a like unit.



New Style End Cover



Service New Pc. No.	Reman. Exch. Pc. No.	Purge Volume	Purge Valve	Port Size (P.T.)	Heater	Notes
065225	109685X	Standard	Hard	1/2"	12V / 75W	
065226	109687X	Standard	Hard	3/4"	12V / 75W	
800243	-	Standard	Hard	3/4"	24V / 100W	
065650	109689X	Standard	Soft	1/2"	12V / 75W	
065651	109690X	Standard	Soft	3/4"	12V / 75W	
065652	109691X	Extended	Soft	3/4"	24V / 75W	
065499	-	Standard	DLU	1/2"	12V / 75W	
065605	-	Standard	DLU	3/4"	24V / 75W	
065647	-	Standard	Soft	1/2"	12V / 75W	Drop In*
065243	5000205X	Extended	Hard	1/2"	12V / 75W	
065228	065228RX	Extended	Hard	3/4"	12V / 75W	
800686	-	Extended	Hard	1/2"	24V / 75W	
065227	109688X	Extended	Hard	3/4"	24V / 75W	
803106	5020297X	Standard	Hard	1/2"	12V / 75W	Freightliner® DTNA - Cascadia**
800069		Extended			24V / 75W	Drop In*
K046475		Standard			12V / 75W	Tandem
K046476		Standard			24V / 75W	Tandem

*For use with Holset Series QE Compressors only

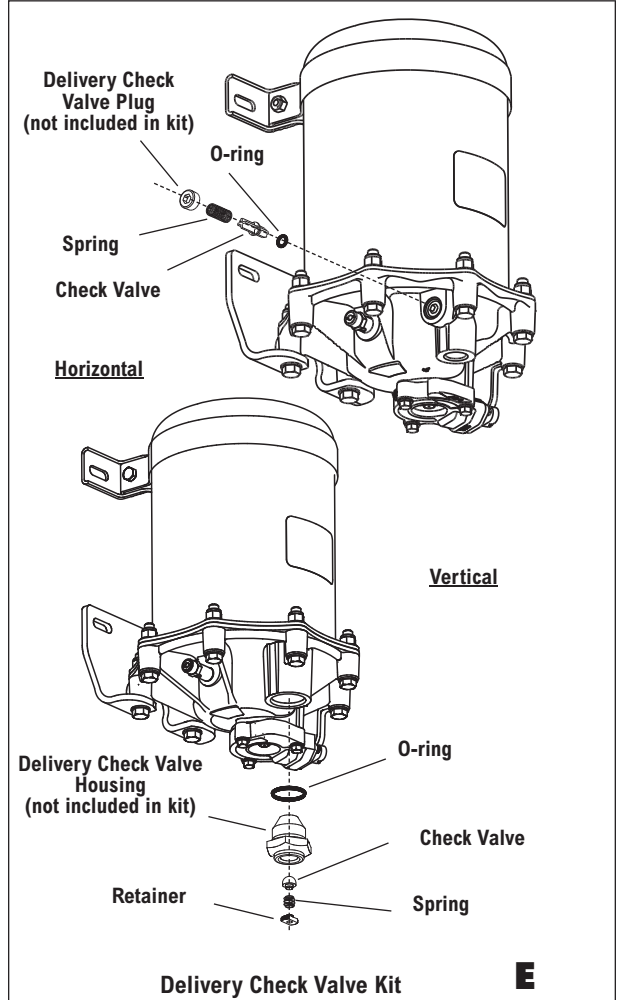
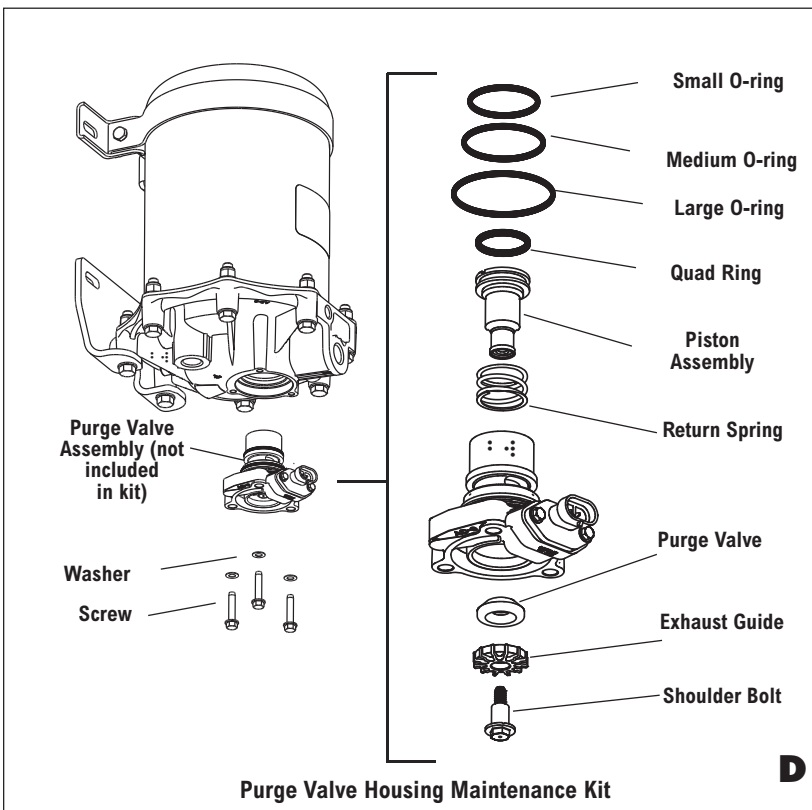
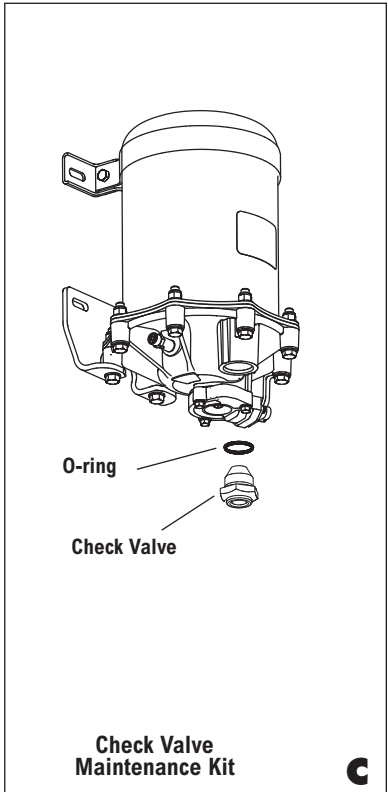
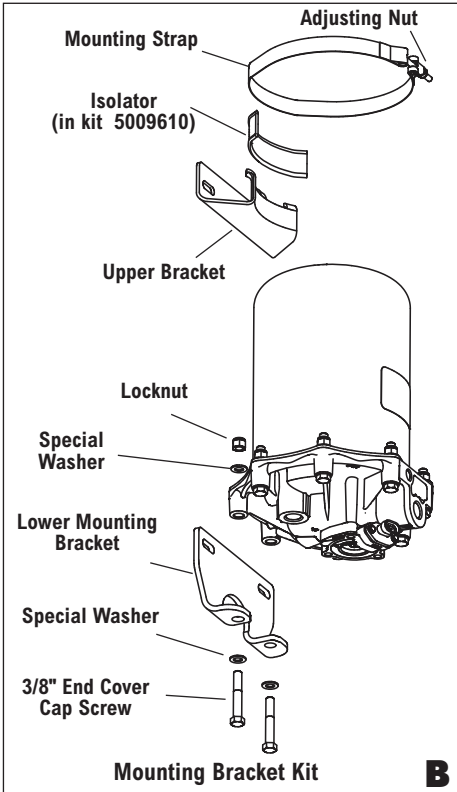
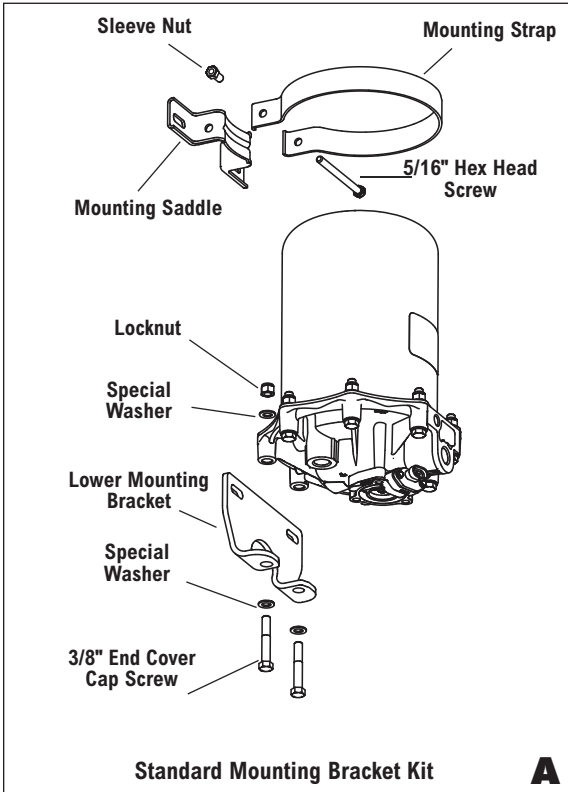
**Other Bendix® AD-9® air dryer models can not be used in this application.

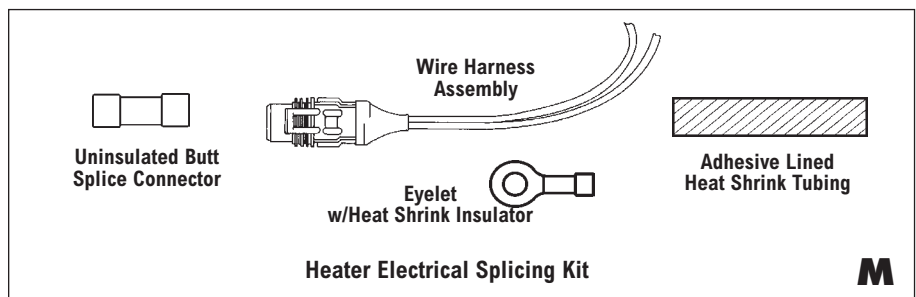
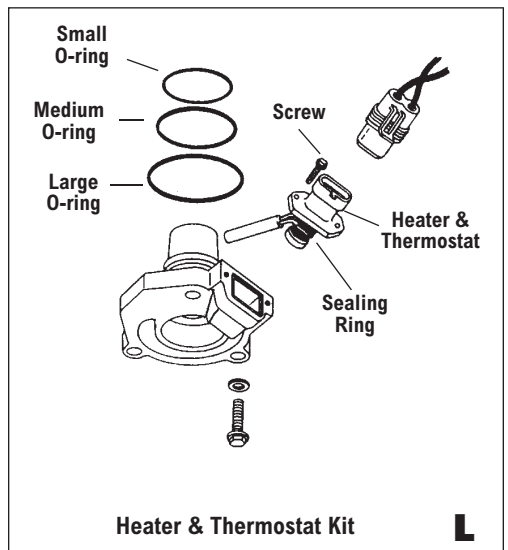
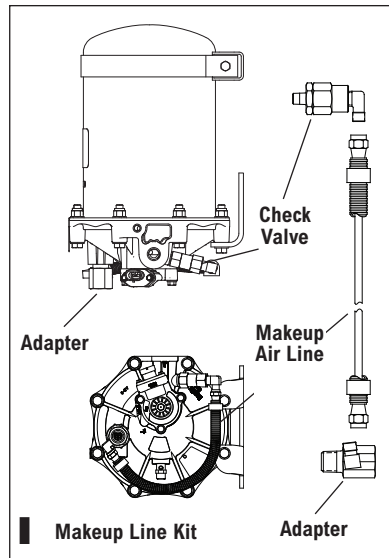
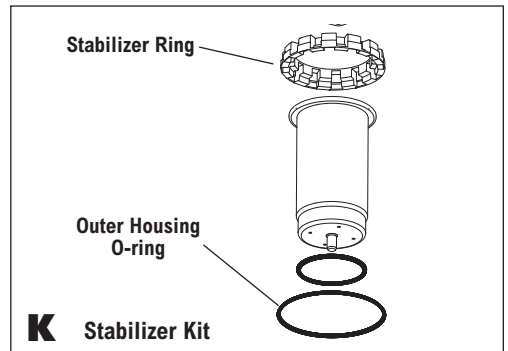
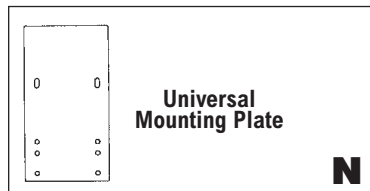
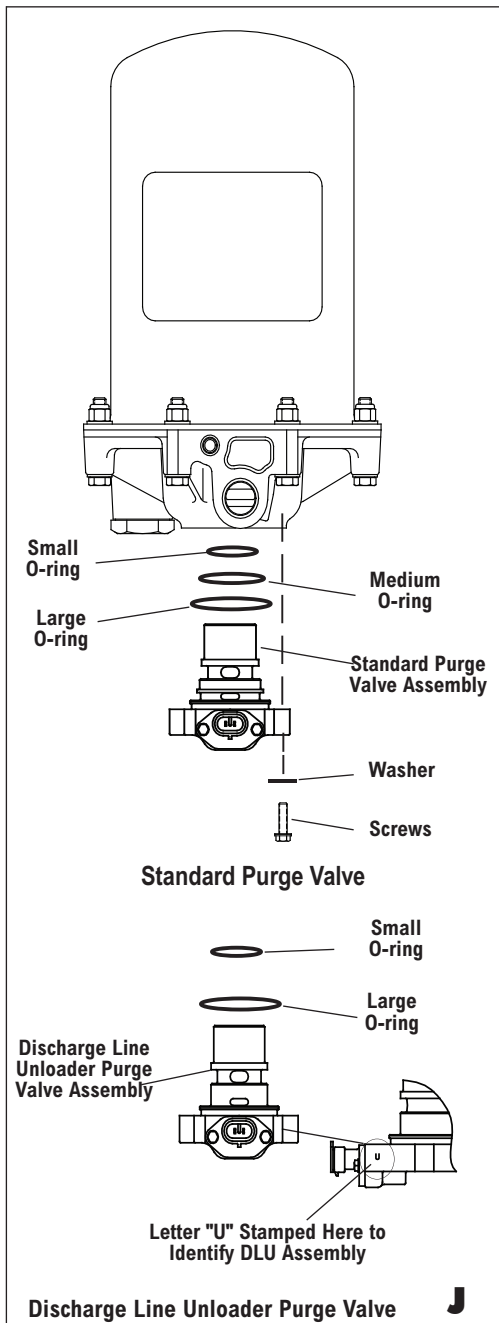
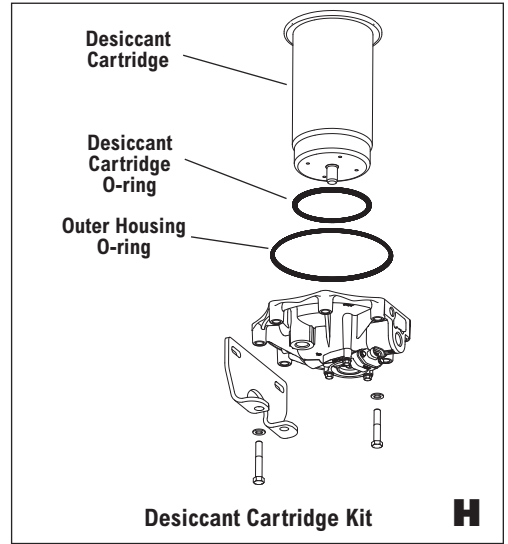
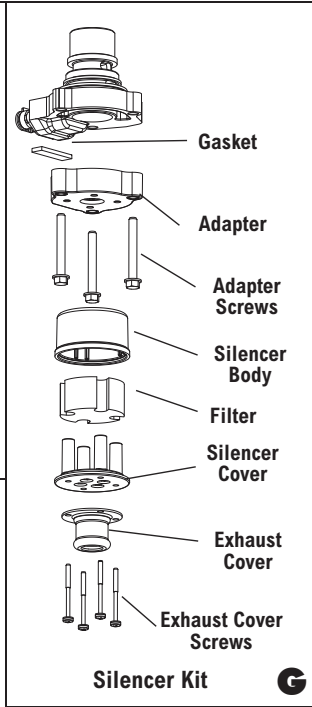
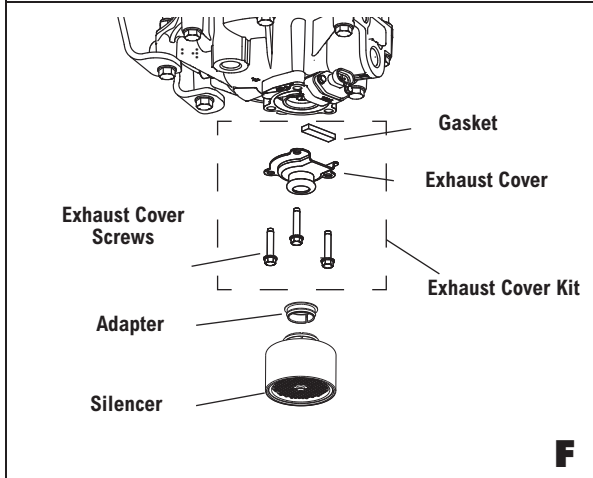
MAINTENANCE KITS

Kit Part Number	Service New (S) or Reman Exchange (RX)	Purge Valve Type	Heater	Connector Color	Kit Description	Illustration (see following pages)
107695	S	-	-	-	Complete Mounting Bracket Kit - Contains the upper and lower brackets as well as the necessary mounting hardware.	A
5002080	S	-	-	-	Mounting Kit	B
5009610	S	-	-	-	Mounting Kit with Isolator	
107799	S	-	-	-	End Cover Check Valve Assembly Replacement - 3/4" thread size.	C
107800N	S	-	-	-	End Cover Check Valve Assembly Replacement - 1/2" thread size.	
5005037	S	Hard Seat	-	-	Purge Valve Housing Maintenance Kit - Contains the parts necessary to rebuild the air portion of the purge valve housing and does not include the heater and thermostat.	D
5005893	S	Soft Seat	-	-		
K041395	S	-	-	-	Universal Check Valve Kit	E
5003838	S	-	-	-	Exhaust Cover Kit	F
5004224N	S	-	-	-	Silencer Kit	G
107796	S	-	-	-	Desiccant Cartridge Replacement Kit - Contains the parts necessary to change the desiccant cartridge only.	H
107794X	RX	-	-	-		
107796PG	S	-	-	-		
107794PGX	RX	-	-	-		
109960	S	-	-	-	Makeup Line Kit with 13 inch makeup line	I
5000457	S	-	-	-	Makeup Line Kit with 8.6 inch makeup line	
109961	S	-	-	-	Adapter Kit	
800405	S	Soft Seat	12V-75W	White	Purge Valve Housing Assembly (w/ heater and thermostat)	J
5004338	S	Soft Seat	24V-75W	Gray		
5004341X	RX	Soft Seat	12V-75W	White		
5004342X	RX	Soft Seat	24V-75W	Gray		
5004479	S	Hard Seat	12V-75W	White		
5004480	S	Hard Seat	24V-75W	Gray		
5004381	S	Hard Seat	24V-100W	Yellow		
5004339	S	DLU	12V-75W	White		
5004340	S	DLU	24V-75W	Gray		
5006580	S	DLU	24V-100W	Yellow		
K092641	S	-	-	-	Stabilizer Kit	K
109578	S	-	12V-75W	White	Heater and Thermostat Kit	L
109579	S	-	24V-75W	Gray		
5002595	S	-	24V-100W	Yellow		
109871N	S	-	-	-	Heater Electrical Splicing Kit	M
113209	S	-	-	-	Universal Mounting Plate	N
K045359	S	-	-	-	Governor Mounting Bracket	-

Bendix® AD-9® master kit part no. K119759 consists of the following kits:

Kit	Description
109578	Heater and Thermostat replacement kit
5004479	Standard purge valve assembly kit
K041359	Universal check valve kit
107794PG	Bendix AD-9 PuraGuard desiccant cartridge kit





Bendix® AD-SP® Air Dryer

- System Purge

V.M.R.S. 13-010-033

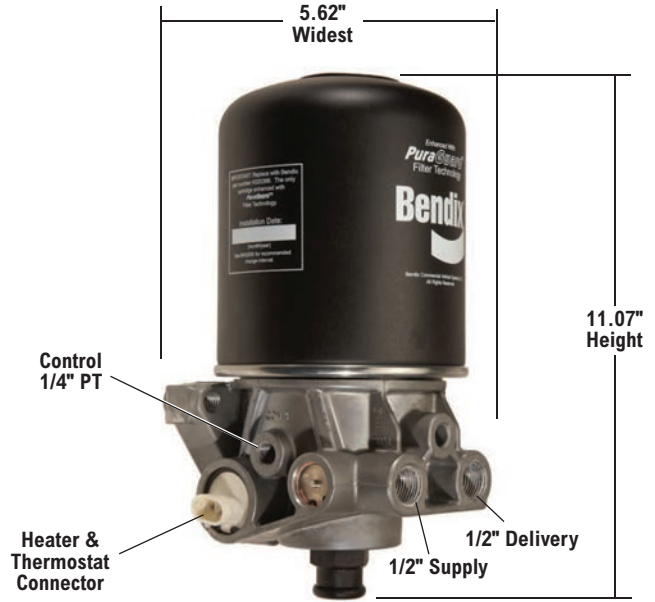
[SD-08-2415](#)

Bendix® AD-SP® Air Dryers & Field Installation Kits

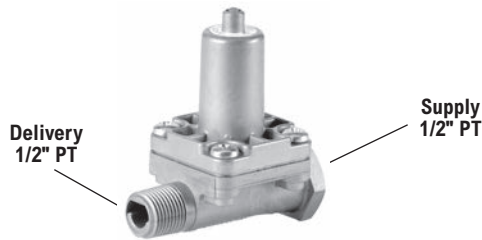
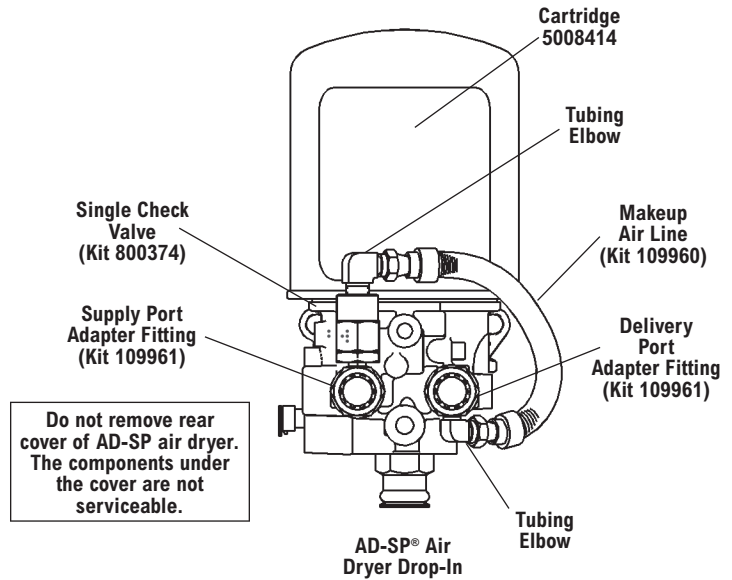
AD-SP® Air Dryer w/ SC-PR™ Valve Service New Pc. No.	AD-SP® Air Dryer Service New Pc. No.	Heater & Thermostat Volts / Watt (See Note 1)	Comments
131031	800887	12V / 90W	—
131032	800972	24V / 90W	—
—	800973	12V / 90W	Drop-In
—	800974	24V / 90W	Drop-In

Note 1: 12 & 24 volt AD-SP air dryers are identified by connector color – White = 12V, Gray = 24V

Maintenance Kits and Service Parts	
Desiccant Cartridge Kit	5008414
Bendix® PuraGuard® Oil Coalescing Cartridge Kit	5008414PG
Purge Valve Kit	109995
Check Valve Kit	5005624
Mounting Bolt Kit	5001201
Silencer Kit	K021189
Turbo Cut-off Kit	109993
Heater & Thermostat Kit - 12V	109495
Heater & Thermostat Kit - 24V	109496
Wire Harness & Splice Kit	109871N



Bendix® AD-SP® Air Dryer



Bendix® SC-PR™
Single Check Protection Valve – must be used in conjunction with the Bendix AD-SP Air Dryer 065677 - Service New



IMPORTANT: If the Bendix® PuraGuard® oil coalescing cartridge is replaced, it must be replaced with a like unit.

Bendix® AD-IP® Air Dryer

- Integral Purge Air Dryer

V.M.R.S. 13-010-033

i SD-08-2414

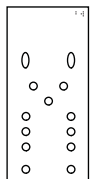
Description	Pc. No.
Cartridge Bolt Kit	109498
Desiccant Cartridge Service New	065624
Desiccant Cartridge Remanufactured	109493X
Bendix® PuraGuard® Coalescing Cartridge Kit - Service New	065624PG
PuraGuard Coalescing Cartridge Kit - Reman Exchange	109493PGX
Desiccant Cartridge O-ring Kit	5011387
Delivery Check Valve Kit	109494
Exhaust Cover Kit	5011327
Extended Purge Kit 3/8" U-Bolt; 90 in ³ Reservoir	5012561N
Extended Purge Kit 3/8" U-Bolt; 288 in ³ Reservoir	5008972
Extended Purge Kit 1/2" U-Bolt; 90 in ³ Reservoir	5005309N
12 Volt Heater & Thermostat Kit	109495
24 Volt Heater & Thermostat Kit	109496
Mounting Bracket Kit	5001247
Silencer Kit	K021189
Wiring Harness & Splicing Kit	109871N
Bendix® ST-4™ Safety Valve	800155

For purge valve kits see the Bendix® AD-IS® and AD-IP® Air Dryer Purge Valve Maintenance Kit section of this catalog.

Service New Pc. No.	Reman. Exch. Pc. No.	Heater & Thermostat Volts / Watt	Comments
065612	109477X	12V / 90W	Notes 2, 3, 4
065613	109478X	24V / 90W	Notes 2, 3, 4
065693	109503X	12V / 90W	Notes 1, 2
800089	5000985X	12V / 90W	Notes 2, 3, 4
800618	5006234X	24V / 90W	Notes 2, 3, 4, 5
800576	5005556X	12V / 90W	Notes 2, 3, 4, 5

Notes:

1. No upper or lower mounting bracket.
2. 12 & 24 volt air dryers are identified by connector color - White = 12v, Gray = 24v
3. Center to center of slots in both mounting brackets 5.64 inches
4. Includes 5001247 (mounting bracket kit)
5. Extended Purge



Universal Mounting Plate

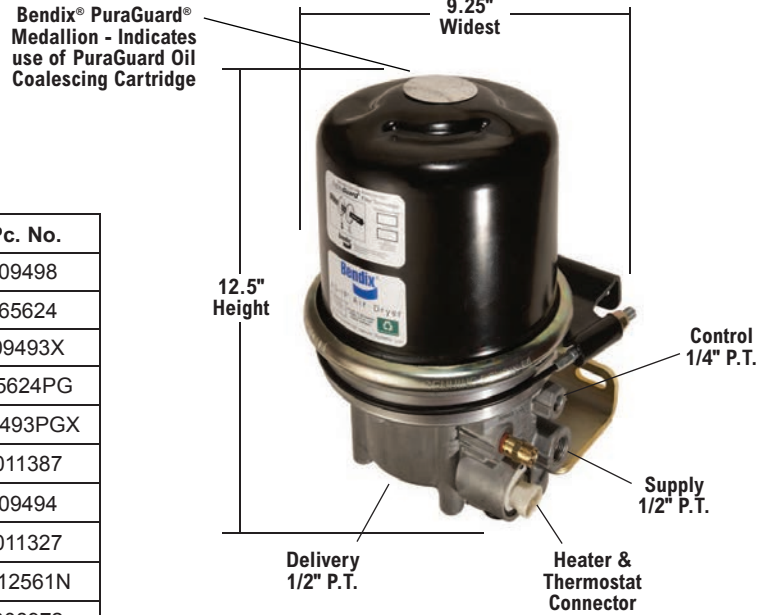
Pc. No. 113209
(Can be used to mount any Bendix® air dryer to vehicle)



Exhaust Cover Kit 5011327



Wire Harness Assembly
(Use Kit 109871N)



Bendix® AD-IP® master kit part no. K119758 consists of the following kits:	
Kit Pc. No.	Description
109495	Heater and Thermostat replacement kit
109494	Delivery port check valve replacement kit
K022105	Purge valve assembly replacement kit
109493PG	Bendix AD-IP PuraGuard desiccant cartridge kit



Bendix® AD-IP® Drop-In Air Dryer

Bendix® AD-IP® Drop-In Air Dryer

Service Pc. No.	Reman Pc. No.	Supply Port	Delivery Port	Heater & Thermo. Volts / Watt	Comments
800067	5000709X	1/2" PT	1/2" PT	12V / 90W	Notes 1, 2, 3

Notes:

1. All replacement air dryers include 5001247 (mounting bracket kit).
2. 12 & 24 volt air dryers are identified by connector color - White = 12v, Gray = 24v
3. Includes Drop-In Check Valve Kit

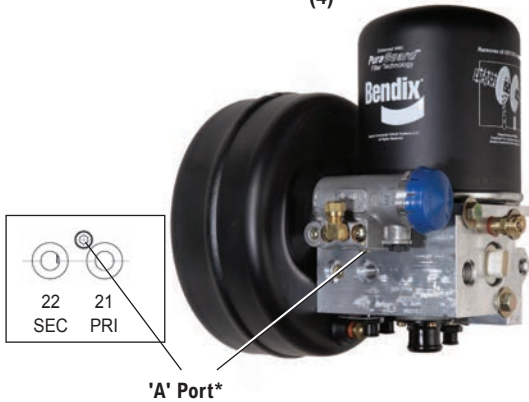
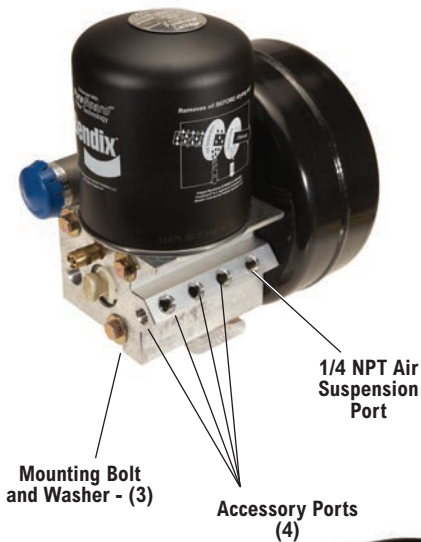
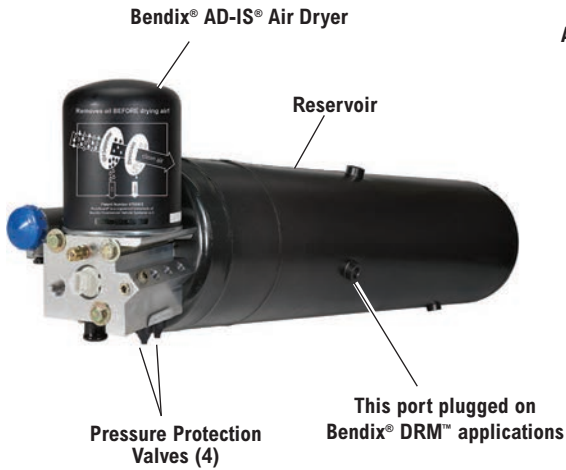
IMPORTANT: If the Bendix® PuraGuard® oil coalescing cartridge is replaced, it must be replaced with a like unit.

Bendix® AD-IS® Air Dryer

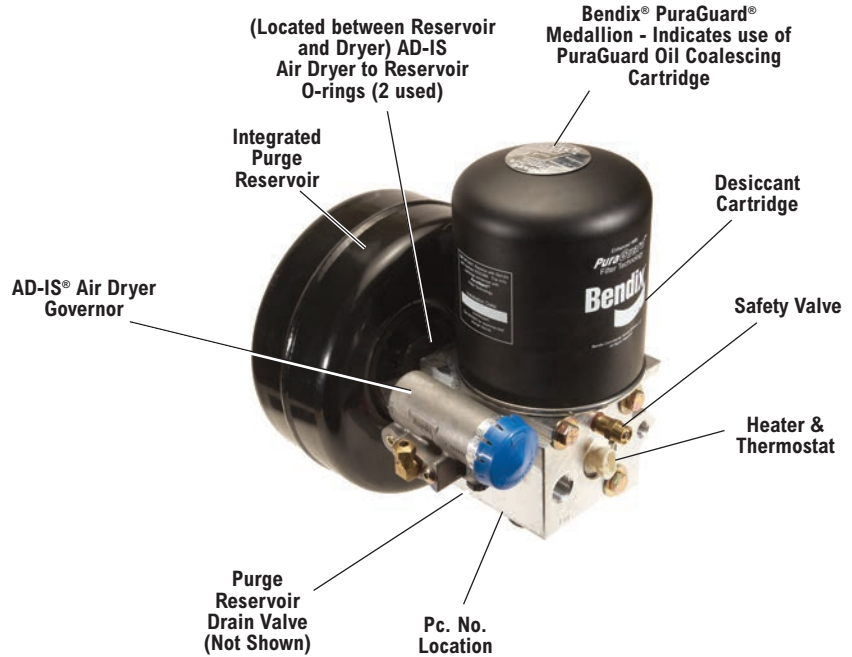
- Spin on cartridge

V.M.R.S. 13-010-033

i SD-08-2418



*Bendix AD-IS air dryers with a plugged port 'A' can not be interchanged with those that do not have a port in this location.



KITS AND SERVICE PARTS

Delivery Check Valve Replacement Kit	5004052
Desiccant Cartridge Replacement Kit	5008414
Integrated Bendix® PuraGuard® Coalescing Desiccant Cartridge Service New Kit	5008414PG
Drain Valve	5004961N
Governor	800361
Governor Adapter	5003698
Governor and Check Valve Replacement Kit	5004049
Governor Gasket	5007834
Heater & Thermostat Replacement (12 volt)	109495
Heater & Thermostat Replacement (24 volt)	109496
Mounting Bolt Kit	5009233
Protective Boots (for pressure protection valves)	5005163
Safety Valve	800350
Splash Shield Kit (includes bracket and cover)	5006698
Splash Shield Cover	5005266N
Silencer Kit	K021189
Wiring Harness & Splice Kit	109871N

Specialty Kits

Adapter Block and Check Valve Kit	5011033
Delivery Check Valve Kit for Adapter Block	5011034
Exhaust Cover Kit for Purge Valve	5011327
Governor (KB low range) and Check Valve Kit	5010935
Extended Purge Kit (converts a single AD-IS extended purge to a tandem AD-IS extended purge kit)	5018543

Notes:

1. For purge valve kits see the Bendix® AD-IS® and AD-IP® Air Dryer Purge Valve Maintenance Kits section of this catalog.
2. There are no kits available for the pressure protection valves. These are not serviceable items - see warning below.

Bendix® AD-IS® master kit part no. K119757 consists of the following kits:	
Kit	Description
109495	Heater and Thermostat replacement kit
5004052	Delivery check valve replacement kit
K022105	Purge valve assembly replacement kit
5008414PG	Bendix AD-IS PuraGuard desiccant cartridge kit



Pc. No. on AD-IS® Air Dryer (Ref.)	'A' Port*	Service Pc. No.	Reman Pc. No.	Primary Port	Primary Port Opening Pressure	Secondary Port	Secondary Port Opening Pressure	Accessory Ports Opening Pressure	Suspension Port Opening Pressure	Heater Voltage (90 Watt)	Comments
5005921 (Note 2)	—	800959	5008871X	1/2" PTC	103 psi	1/2" PTC	109 psi	55 psi	85psi	12	GMT560-C (obsolete)
5008296 (Note 2)	Plugged	801145	5010104X	1/4" NPT	106 psi	1/4" NPT	106 psi	106 psi	106 psi	24	Orion Bus
5008925 (Note 2)	—	—	5008871X	1/2" PTC	103 psi	1/2" PTC	109 psi	55 psi	85 psi	12	GMT560-T (obsolete)
5010134	Plugged	801147	5010133X	1/4" NPT	106 psi	1/4" NPT	106 psi	106 psi	106 psi	12	Generic 12V
5010135	Plugged	801147	5010133X	1/4" NPT	106 psi	1/4" NPT	106 psi	106 psi	106 psi	12	Generic 12V
5010212	Plugged	801164	5010211X	1/4" NPT	106 psi	1/4" NPT	106 psi	106 psi	106 psi	24	Generic 24V
5010213	Plugged	801164	5010211X	1/4" NPT	106 psi	1/4" NPT	106 psi	106 psi	106 psi	24	Generic 24V
5010694 (Note 1)	Plugged	801266	5010696X	1/4" NPT	103 psi	1/4" NPT	109 psi	109 psi	109 psi	12	Peterbilt
5010900	Plugged	810301	5010924X	1/4" NPT	103 psi	1/4" NPT	103 psi	103 psi	109 psi	12	DLU Operation
5015533	Plugged	801266	5010696X	1/4" NPT	103 psi	1/4" NPT	109 psi	109 psi	109 psi	12	Kenworth
5015534	Plugged	801266	5010696X	1/4" NPT	103 psi	1/4" NPT	109 psi	109 psi	109 psi	12	Kenworth
5016364 (Note 2)	Plugged	802191	—	1/4" NPT	106 psi	1/4" NPT	106 psi	106 psi	106 psi	12	International
5016420 (Note 2)	—	802174	5008871X	1/2" PTC	103 psi	1/2" PTC	109 psi	55 psi	85 psi	12	GMT560-C (obsolete)
5016421 (Note 2)	—	802174	5008871X	1/2" PTC	103 psi	1/2" PTC	109 psi	55 psi	85 psi	12	GMT560-T (obsolete)

Notes:

1. Contains three Accessory ports - all other Bendix® AD-IS® air dryers shown have 4 Accessory ports.
2. Bendix AD-IS® air dryer has 1/4" NPT auxiliary inlet port.

Bendix® AD-IS® and AD-IP® Air Dryer Purge Valve Maintenance Kits

Original Kit Piece Number	Description	Configuration / Installation	Replacement Kit Piece Number*	Purge Valve Type
800404	Purge Valve Assembly Kit for climate conditions above -40°C (-40°F)	Bendix® AD-IS® / AD-IP® Air Dryer	K022105	Hard Seat
		AD-IS / AD-IP EverFlow® Air Dryer Modules	K031560	Soft Seat
5017687	Arctic Purge Valve Assembly Kit for climate conditions between -40°C to -50°C (-40°F to -58°F)	AD-IS / AD-IP Air Dryer	K031559	Hard Seat
		AD-IS / AD-IP EverFlow Air Dryer Modules	K031561	Soft Seat
5009650	Purge Valve Assembly Kit for climate conditions above -40°C (-40°F)	Bendix® AD-IP® Air Dryer Discharge Line Unloader	K031562	
5017682	Arctic Purge Valve Assembly Kit for climate conditions between -40°C to -50°C (-40°F to -58°F)	AD-IP Air Dryer Discharge Line Unloader	K031563	
5003547	Purge Valve Maintenance Kit for climate conditions above -40°C (-40°F)	Purge valve maintenance kits will no longer be offered. Select the appropriate purge valve assembly kit from those shown above that best matches your application.		
5017683	Arctic Purge Valve Maintenance Kit for climate conditions between -40°C to -50°C (-40°F to -58°F)			

WARNING:

Do not attempt to adjust or service the Pressure Protection valves. Incorrect pressure protection valve settings can result in automatic application of vehicle spring brakes without prior warning.

IMPORTANT: If the Bendix® PuraGuard® oil coalescing cartridge is replaced, it must be replaced with a like unit.

Bendix® DRM™ Dryer Reservoir Module with Bendix® AD-IS® Air Dryer

SD-98-9808

Bendix® AD-IS® Air Dryer used on Bendix® DRM™ Dryer Reservoir Module

AD-IS® Service New Pc. No.	AD-IS® Reman. Exch. Pc. No.	Pc. No. on AD-IS® Air Dryer (Reference)	'A' Port* Plug	Suspension Port	Accessory Ports (Qty.)	Heater Voltage (90 Watt)
800383	5004050X	5003424	without	1/4" NPT	1/4" NPT (4)	12
800838	5008332X	5007593	without	1/4" PTC	1/4" NPT (3) 3/8" PTC (1)	12
801100	5009483X	5009232	without	1/4" NPT	1/4" NPT (4)	12
801330	5011075X	5011074	without	none	none	12

PTC = Push-to-Connect

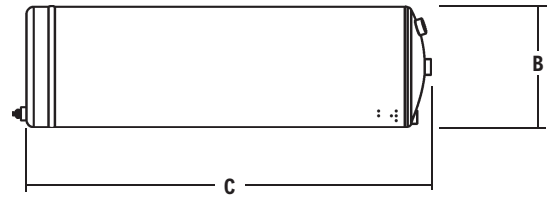
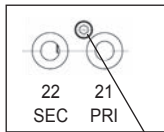


Figure 1

Bendix® PuraGuard® Medallion - Indicates use of PuraGuard Oil Coalescing Cartridge



'A' Port



Service and Remanufactured Bendix® AD-IS® air dryers do not include Bendix® DRM™ Reservoirs or Purge Volume Reservoirs.

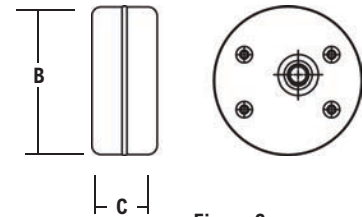


Figure 2

*Bendix® AD-IS® air dryers with a plugged port 'A' can not be interchanged with those that do not have a port in this location.

Reservoirs for Bendix® DRM™ Dryer Reservoir Module

Service New Pc. No.	'B' Dia.	'C' Length	Number of Compartments	Comments	Figure
5005313N	9"	53.5"	2	Steel	1
5009107N	9"	55.5"	2	Aluminum	1
5007588	9"	26"	3	Steel	1
5008939N	9"	29.8"	2	Steel	1
5009569N	12"	56.1"	3	Steel	1
5011548N**	9"	53.5"	3	Steel	1

**for use on vehicle with FreedomLine transmission & has an integral 610 in³ chamber

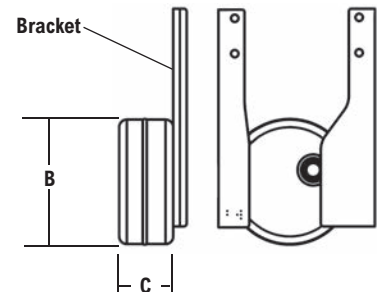


Figure 3

Purge Volume Reservoirs

Service New Pc. No.	'B' Dia.	'C' Length	Volume (Cubic Inches)	Mounting Bracket	Figure	Comments
5009028N	9"	6"	300	4 Hole SAE Mtg.	2	Extended Purge
5008574	9"	3.9"	200	4 Hole SAE Mtg.	2	Standard
5011292	9"	3.9"	200	Included	3	Standard

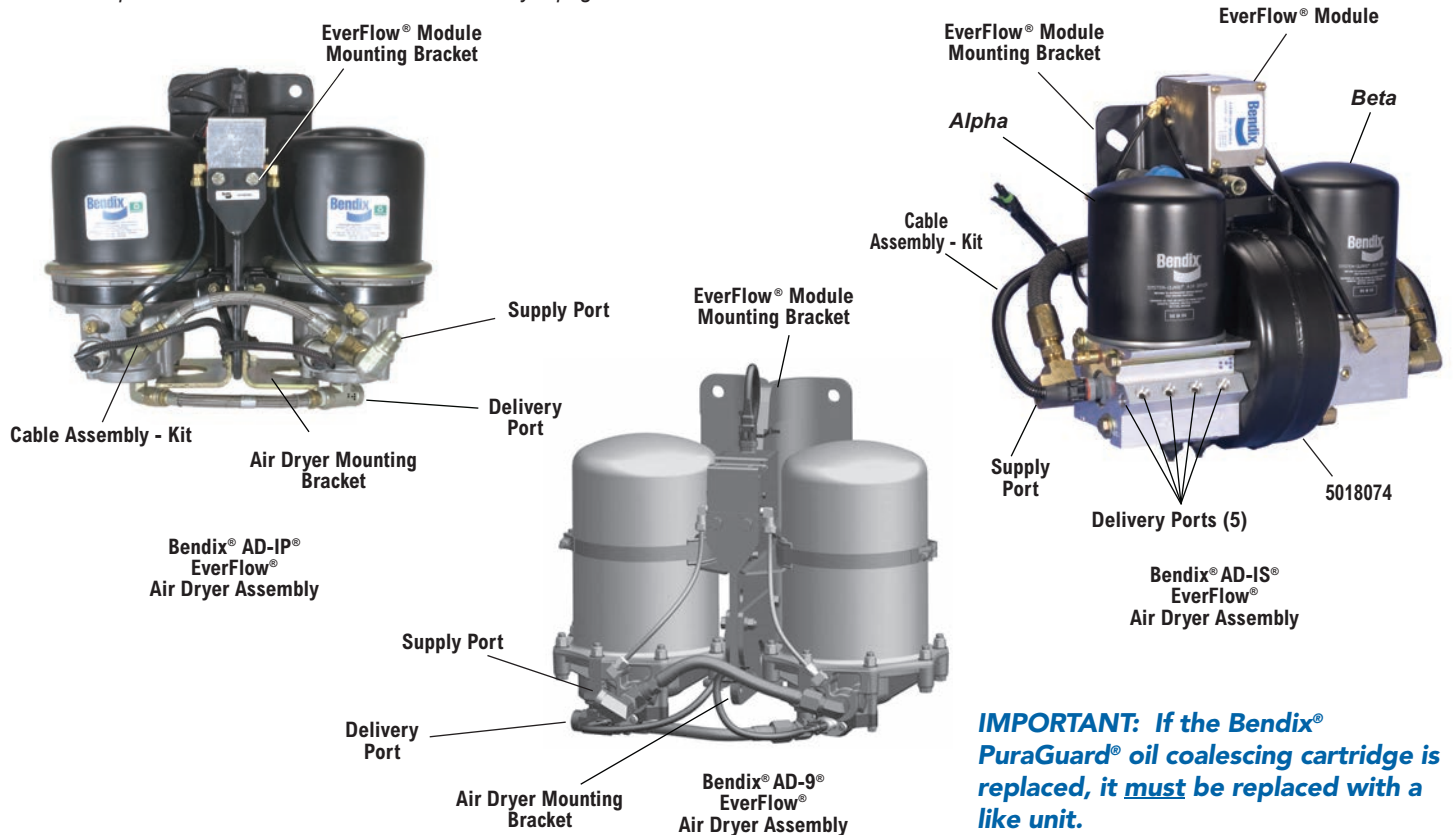
IMPORTANT: If the Bendix® PuraGuard® oil coalescing cartridge is replaced, it must be replaced with a like unit.

Bendix® EverFlow® Module Assembly

i SD-08-2417

Service New Assembly Pc. No.	Voltage	Air Dryer				Bendix® EverFlow® Module			Supply & Delivery Port Location
		Type	Service New Pc. No.	Reman. Exch. Pc. No.	Mounting Bracket	Module	Mounting Bracket	Cable Assembly Kit	
801032	12	AD-9®	065650	109689X	5009610	800685	5008483	5008484	Shown
801788	24		801803	—		800722			
800801	12	AD-IP®	065693	109503X	5001247	800685	5008483	5008484	Shown
801288	24		065613	109478X		800722			
802121	12	AD-IS®	802114 alpha	DNA	5017324	800685	Part of Dryer Bracket	5015949	Shown
802537			802115 beta						Opposite

For model specific service kits see the individual air dryer page.



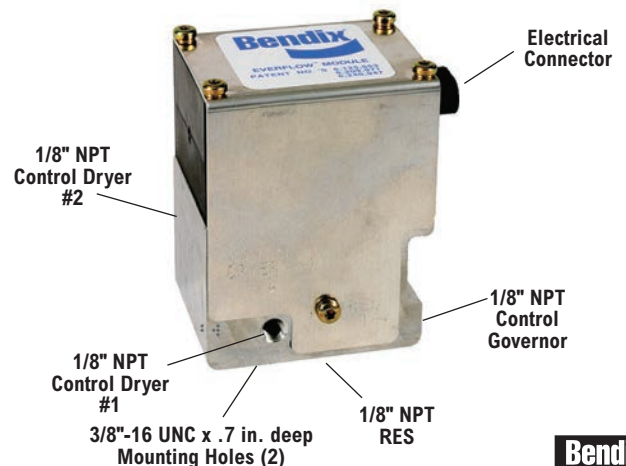
IMPORTANT: If the Bendix® PuraGuard® oil coalescing cartridge is replaced, it must be replaced with a like unit.

Bendix® EverFlow® Air Dryer Module

i SD-08-2417

Retrofit Kit* Service New Pc. No.	Service New Pc. No.	Voltage
800684	800685	12 V
800723	800722	24 V

*Includes EverFlow® module & hardware – does not include air dryers.





IMPORTANT: If the Bendix® PuraGuard® oil coalescing cartridge is the OE Standard it must be replaced with a like unit.

Vehicle Make/ Platform/Model	Engine	Bendix® Air Dryer	Type	Bendix® PuraGuard® Oil Coalescing Cartridge	
				OE Standard	OE Spec Option
FREIGHTLINER®					
Thomas Built Bus	Cummins® ISB6.7, ISC8.3, ISL9	AD-9® Air Dryer	Service New	—	107796PG
			Reman	—	107794PGX
		AD-IP® Air Dryer	Service New	—	065624PG
			Reman	—	109493PGX
FCCC	Cummins ISB6.7, ISC8.3, ISL9	AD-9 Air Dryer	Service New	—	107796PG
			Reman	—	107794PGX
Business Class® M2	Detroit™ DD13®, DD15®, DD16®	AD-IP Air Dryer	Service New	065624PG	—
			Reman	109493PGX	—
		DRM™ Dryer Reservoir Module	Service New	5008414PG	—
		AD-9si® Air Dryer	DD Service New	5008414PG	—
	Cummins ISB6.7, ISC8.3, ISL9	AD-IP Air Dryer	Service New	—	065624PG
			Reman	—	109493PGX
		DRM Dryer Reservoir Module	Service New	—	5008414PG
		AD-9si Air Dryer	Cummins Service New	—	5008414PG
Cascadia®	Detroit DD13, DD15, DD16	AD-9 Air Dryer	Service New	107796PG	—
			Reman	107794PGX	—
		AD-IP Air Dryer	Service New	065624PG	—
			Reman	109493PGX	—
	Cummins® ISX15	AD-9si Air Dryer	DD Service New	5008414PG	—
			AD-9 Air Dryer	Service New	—
		AD-IP Air Dryer	Reman	—	107794PGX
			Service New	—	065624PG
		AD-9si Air Dryer	Reman	—	109493PGX
			Cummins Service New	—	5008414PG
Coronado®	Detroit DD13	AD-SP® Air Dryer	Service New	5008414PG	—
			Service New	107796PG	—
		AD-9 Air Dryer	Reman	107794PGX	—
			Service New	5008414PG	—
WESTERN STAR®					
Western Star	Detroit DD13, DD15, DD16	AD-9 Air Dryer	Service New	107796PG	—
			Reman	107794PGX	—
		AD-IP Air Dryer	Service New	065624PG	—
			Reman	109493PGX	—
	DD Tier 3	AD-9s® Air Dryer	DD Service New	5008414PG	—
			AD-9 Air Dryer	Service New	107796PG
		AD-IP Air Dryer	Reman	107794PGX	—
			Service New	065624PG	—
		AD-9si Air Dryer	Reman	109493PGX	—
			DD Service New	5008414PG	—



Bendix® PuraGuard® Oil Coalescing Cartridge

Air Dryers 08

IMPORTANT: If the Bendix® PuraGuard® oil coalescing cartridge is the OE Standard it must be replaced with a like unit.

Vehicle Make/ Platform/Model	Engine	Bendix® Air Dryer	Type	Bendix® PuraGuard® Oil Coalescing Cartridge	
				OE Standard	OE Spec Option
WESTERN STAR® (Continued)					
Western Star	Cummins® ISC, ISL, ISX15	AD-9® Air Dryer	Service New	—	107796PG
			Reman	—	107794PGX
		AD-IP® Air Dryer	Service New	—	065624PG
			Reman	—	109493PGX
		AD-9si® Air Dryer	Cummins Service New	—	5008414PG
MACK®					
Refuse Mack® TerraPro™	Mack® MP8	AD-RP™ Air Dryer	Service New	5008414PG	—
CONSTRUCTION Mack® Granite® Series	Mack® MP7, MP8	AD-9 Air Dryer	Service New	107796PG	—
			Reman	107794PGX	—
		AD-IP Air Dryer	Service New	065624PG	—
			Reman	109493PGX	—
HIGHWAY Mack® Pinnacle™ Series	Mack MP7, MP8	AD-RP Air Dryer	Service New	5008414PG	—
			Service New	107796PG	—
		AD-9 Air Dryer	Reman	107794PGX	—
			Service New	065624PG	—
HEAVY HAUL Titan by Mack®	Mack® MP10	AD-IP Air Dryer	Reman	109493PGX	—
			Service New	107796PG	—
		AD-RP Air Dryer	Service New	5008414PG	—
			Reman	107794PGX	—
VOLVO®	Volvo® D11, D13	AD-9 Air Dryer	Service New	107796PG	—
			Reman	107794PGX	—
		AD-IP Air Dryer	Service New	065624PG	—
			Reman	109493PGX	—
VN 780, VN 730, VN 670, VN 630	Volvo® D11, D13, D16	AD-RP Air Dryer	Service New	5008414PG	—
VNL 430, VNM / VNL Daycab	Cummins ISX15	AD-9 Air Dryer	Service New	107796PG	—
			Reman	107794PGX	—
		AD-IP Air Dryer	Service New	065624PG	—
			Reman	109493PGX	—
KENWORTH®					
T680, T660, W900, T800, C500		AD-IS® EverFlow® Air Dryer	Service New	—	5008414PG
T470, T440, T370, T270, T170, K370		AD-SP® Air Dryer	Service New	—	5008414PG
		AD-IS® Air Dryer	Service New	—	5008414PG
T700		AD-IS® EverFlow® Air Dryer	Service New	—	5008414PG
		AD-IS® Air Dryer	Service New	—	5008414PG



IMPORTANT: If the Bendix® PuraGuard® oil coalescing cartridge is the OE Standard it must be replaced with a like unit.


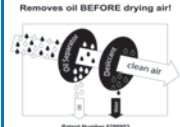
Vehicle Make/ Platform/Model	Engine	Bendix® Air Dryer	Type	Bendix® PuraGuard® Oil Coalescing Cartridge	
				OE Standard	OE Spec Option
PETERBILT®					
Models 348, 365, 367, 382, 384, 386, 389, 579, 587		AD-IS® EverFlow® Air Dryer	Service New	—	5008414PG
		AD-IP® Air Dryer	Service New	—	065624PG
			Reman	—	109493PGX
Models 210, 220, 320, 325, 330, 337		AD-IP Air Dryer	Service New	—	065624PG
			Reman	—	109493PGX
		AD-IS Air Dryer	Service New	—	5008414PG
INTERNATIONAL®					
DuraStar® 4000	MaxxForce® 7/8/9/10/DT	AD-9® Air Dryer	Service New	—	107796PG
			Reman	—	107794PGX
		AD-IP Air Dryer	Service New	—	065624PG
			Reman	—	109493PGX
PayStar® 5000	MaxxForce® 11/13/15	AD-9 Air Dryer	Service New	—	107796PG
			Reman	—	107794PGX
		AD-IP Air Dryer	Service New	—	065624PG
			Reman	—	109493PGX
WorkStar® 7000	MaxxForce 9/10/11/13/DT	AD-IS® EverFlow® Air Dryer	Service New	—	5008414PG
		AD-9 Air Dryer	Service New	—	107796PG
			Reman	—	107794PGX
		AD-IP Air Dryer	Service New	—	065624PG
			Reman	—	109493PGX
		TranStar® 8000	MaxxForce 11/13	AD-9 Air Dryer	Service New
Reman	—				107794PGX
AD-IP Air Dryer	Service New			—	065624PG
	Reman			—	109493PGX
9900 Series LoneStar® ProStar®	MaxxForce 11/13/15	AD-IS Air Dryer	Service New	—	5008414PG
		AD-IS® EverFlow® Air Dryer	Service New	—	5008414PG
IC BUS™ - CE (Conventional) IC BUS™ - FE (Front Engine) IC BUS™ - RE (Rear Engine)	MaxxForce 7/8/9/10/DT	AD-9 Air Dryer	Service New	—	107796PG
			Reman	—	107794PGX
		AD-IP Air Dryer	Service New	—	065624PG
			Reman	—	109493PGX
BD CHASSIS - HC (Blue Diamond)	MaxxForce 7/8/9/10/DT Cummins® ISB 6.71	AD-9 Air Dryer	Service New	—	107796PG
			Reman	—	107794PGX
		AD-IP Air Dryer	Service New	—	065624PG
			Reman	—	109493PGX

Bendix® PuraGuard® Oil Coalescing Cartridge piece numbers

Bendix® Air Dryer	PuraGuard® Service New	PuraGuard® Reman
AD-IS®, AD-SP®, AD-RP™	5008414PG	—
AD-IP®	065624PG	109493PGX
AD-9®	107796PG	107794PGX

Bendix® PuraGuard® oil coalescing air dryer identification

Current production air dryers with the Bendix® PuraGuard® oil coalescing filter have one, or more, of these identifiers.
(Early production may not include either of these and may only be identified by part number.)

 <p>Medallion - located on the top of the air dryer</p>	 <p>Label or imprint - located on the side of the air dryer cartridge</p>
---	---



Bendix® AD-IS®, AD-SP® or AD-RP™ Air Dryer Cartridge



Bendix® AD-IP® Air Dryer Cartridge



Bendix® AD-9® Air Dryer Cartridge